

## Model G6-55 Rotary Gear Pump

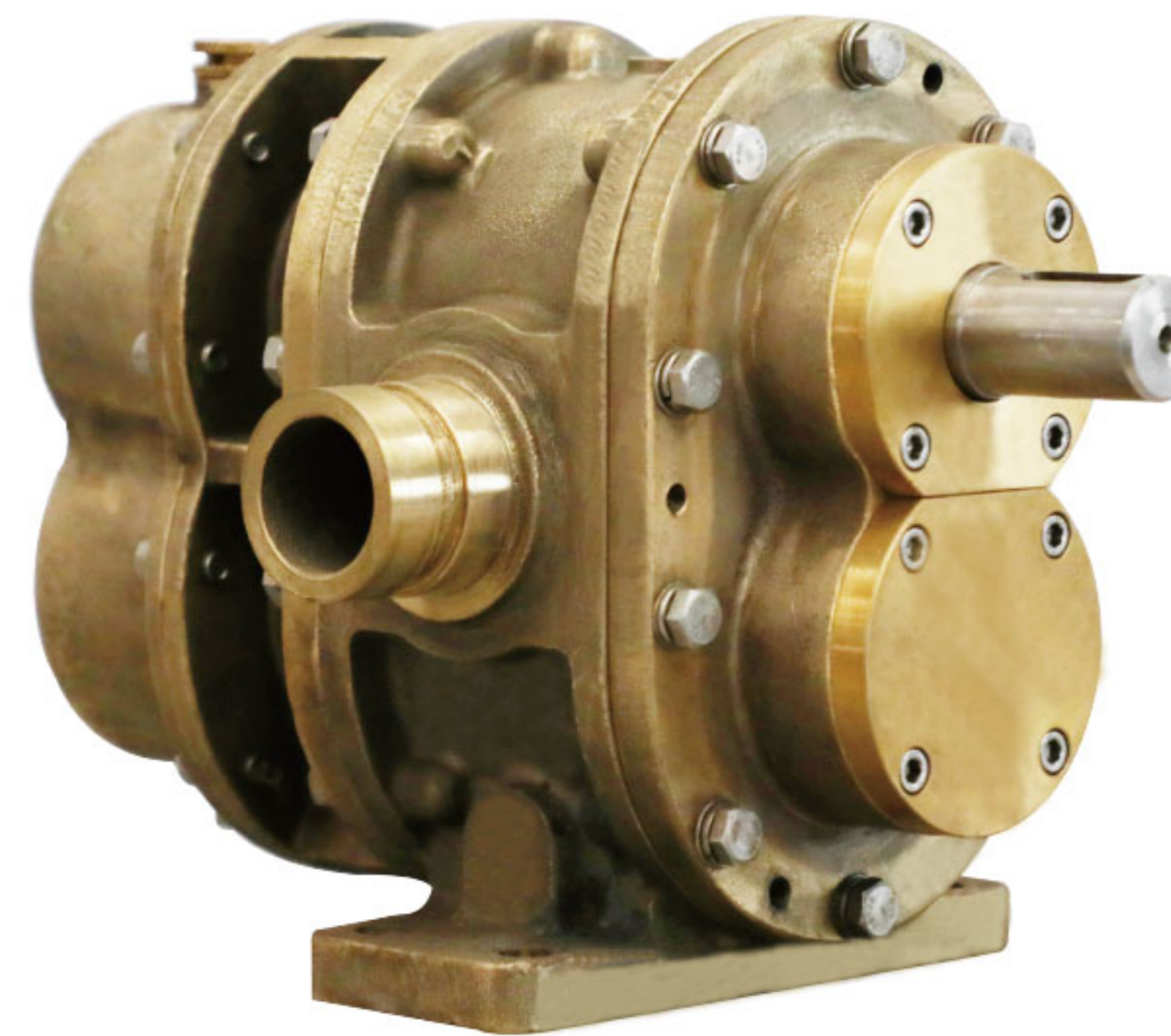
Surex rotary gear pumps designed for foam extinguishing system. They are Self-Priming and can pump Multiple Viscosities of Foam or Water. This versatile design is suitable for Electric, PTO, Diesel/Gasoline Engine, Water Driven or Hydraulic drive motors.

### Design Features:

- Timing Gears Synchronize the Two Pumping Rotors.
- Timing Gears Allow for DRY Running Without Damage.
- No Rotor Contact Allows for Pumping Foam or Water.
- Water Can Be Used for: Calibration, Testing and Training.

### Technical Data:

Max Pressure: 2.0MPa | 20bar  
Max Speed: 1800RPM  
Viscosity : 9500cp max.[1]  
Connection Diameter: DN40(48.3 O.D.)、1½"  
Connection Type: Groove、Thread、Flange  
Approvals: FM  
[1]Brookfield viscometer, spindle #4, speed 30rpm.



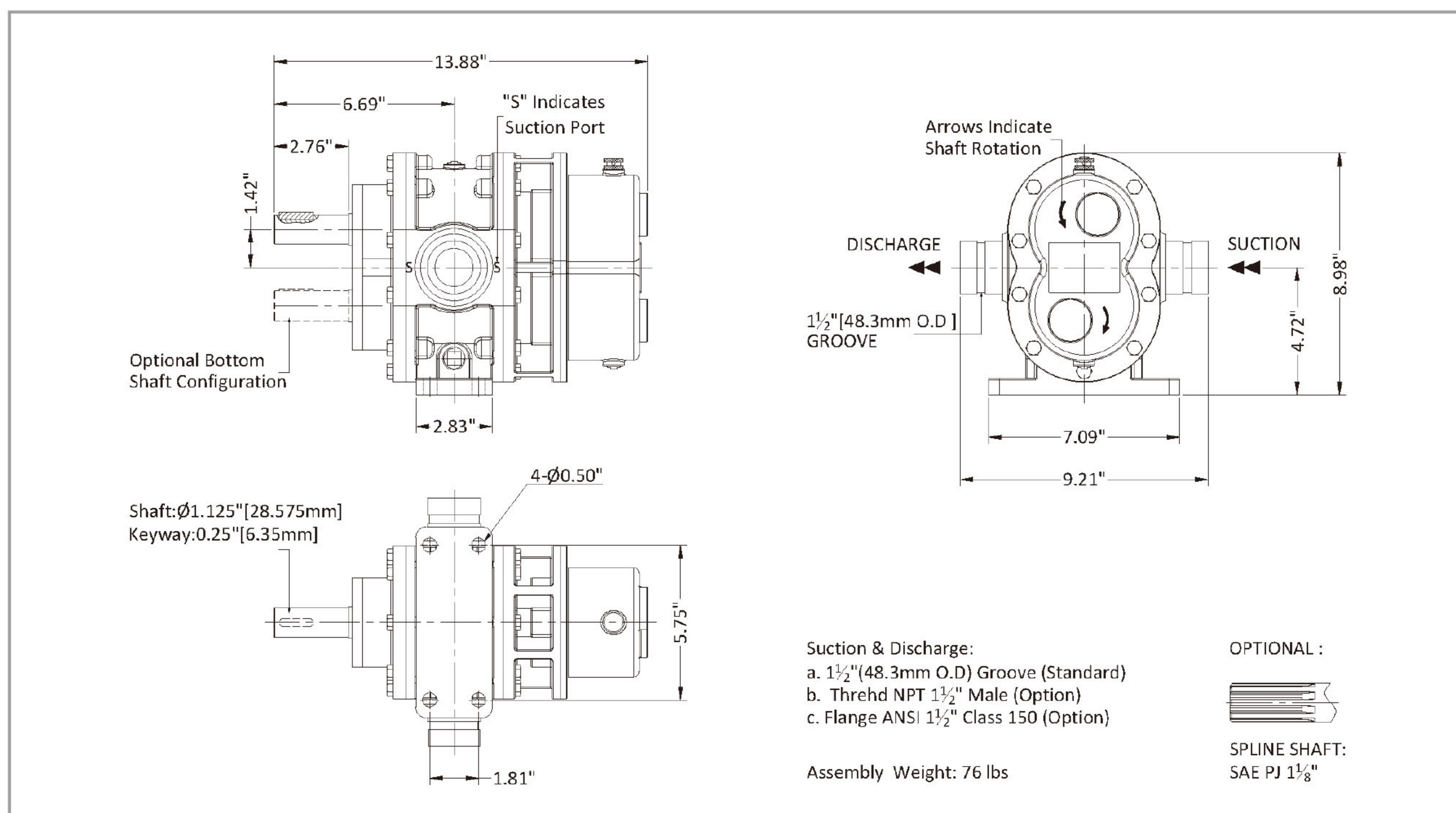
### Materials :

Pump body: Red Brass, ASTM B584 C83600  
Rotor: Stainless Steel 17-4PH  
Red Brass, ASTM B584 C83600  
Liners: Red Brass, ASTM B584 C83600  
Front Cover: Red Brass, ASTM B584 C83600  
Back Cover: Red Brass ASTM B584 C83600  
Timing Gear: Alloy Steel 20CrMnTi (ASTM A29M)  
Lip Seal : FPM

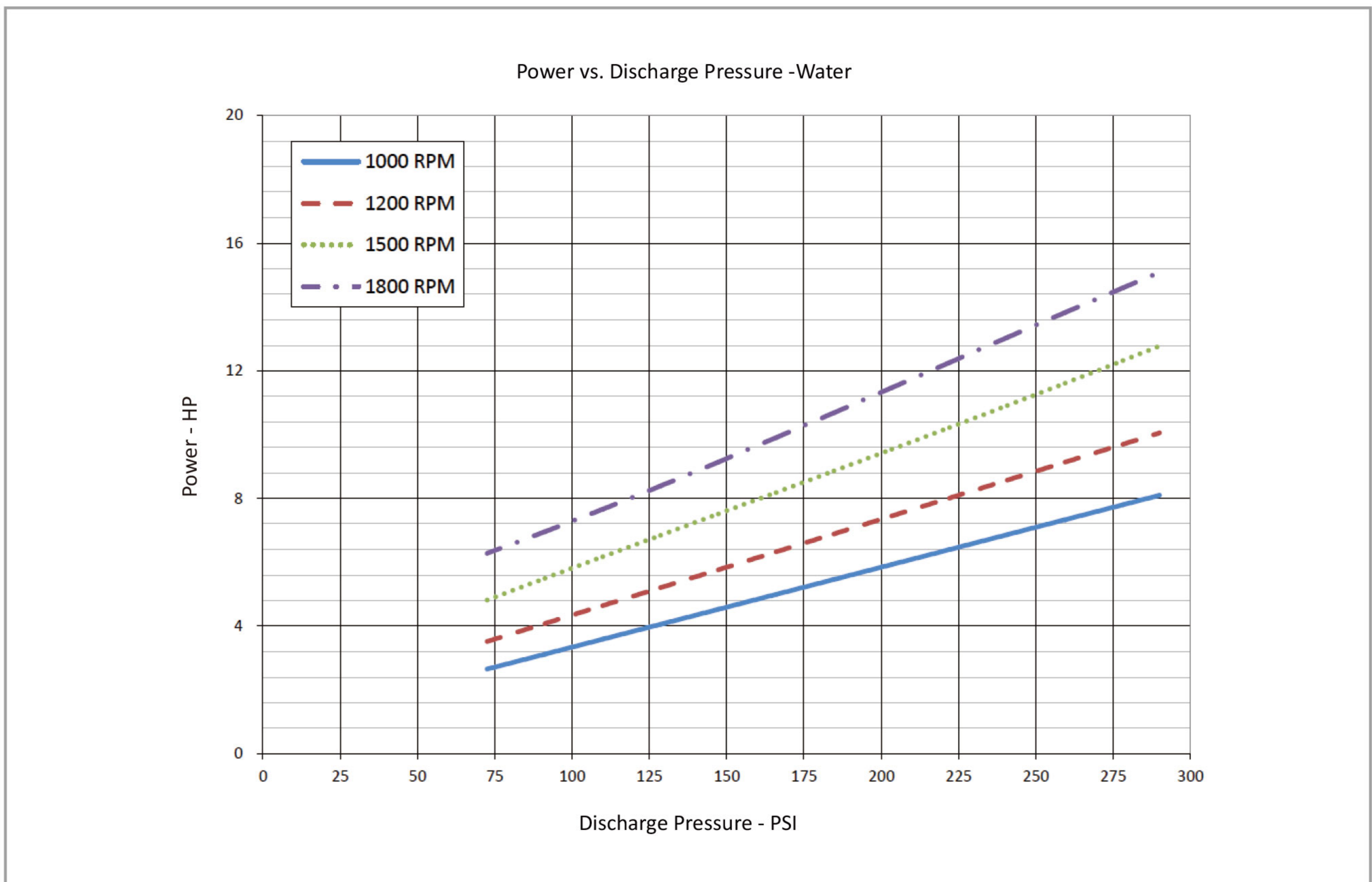
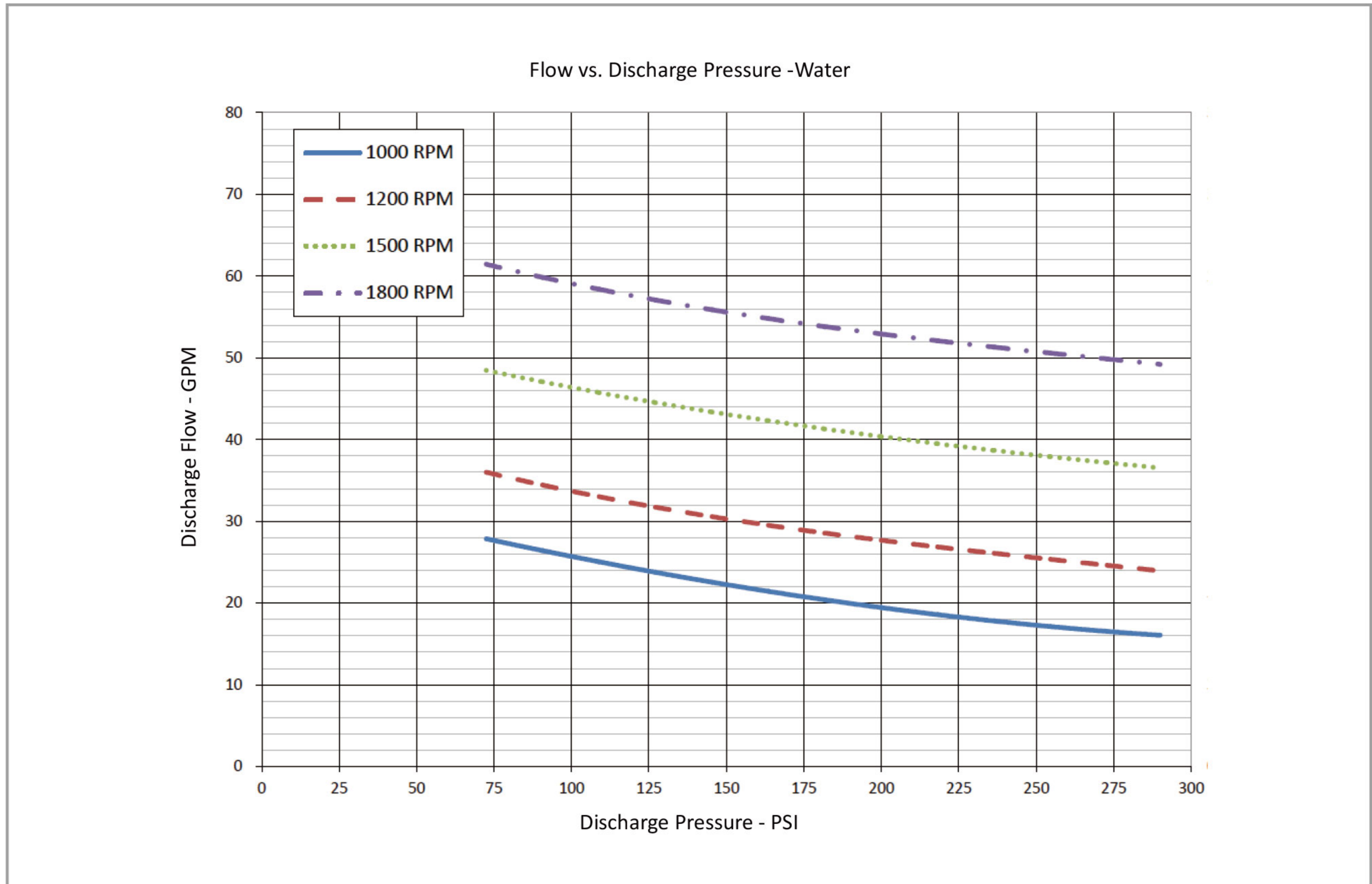
### Performance -Water

Foam Pump	1000rpm			1200rpm			1500rpm			1800rpm			
	Pressure	Flow	Power	Torque	Flow	Power	Torque	Flow	Power	Torque	Flow	Power	Torque
	PSI	GPM	HP	LB-FT	GPM	HP	LB-FT	GPM	HP	LB-FT	GPM	HP	LB-FT
	72.5	28	3	14	36	4	16	48	5	17	61	6	18
	100	26	3	19	34	4	19	46	6	21	59	7	26
	150	22	5	25	30	6	24	43	8	27	56	9	32
	200	19	6	30	28	7	30	40	9	32	53	11	37
	250	17	7	35	25	9	36	38	11	39	51	13	42
	290	16	8	43	24	10	44	37	13	45	49	15	44

### Dimensions



# Model G6-55 Rotary Gear Pump



• The pump performance for foam concentrate, please contact Surex, or down load from [www.surexfoam.com](http://www.surexfoam.com).